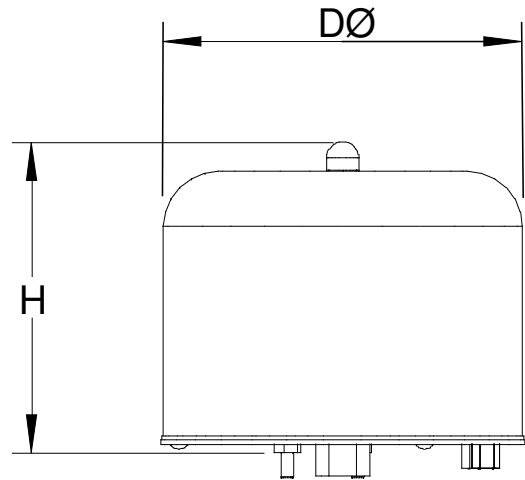
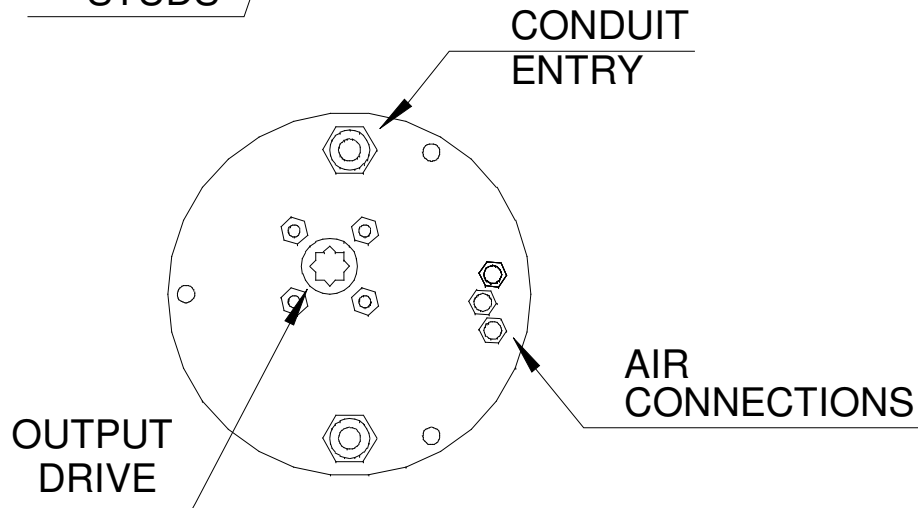
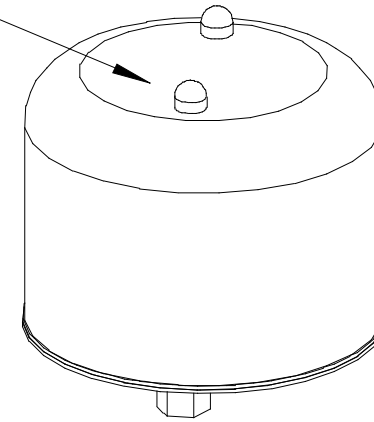


DF SERIES – GENERAL INFORMATION



4 x FIXING STUDS

LID NUT



DIMENSIONS

	$D\emptyset$	H
DF1	125	118
DF2	145	130
DF3	182	156
DF4	209	182
DF5	255	209
DF6	310	247

All dimension are mm